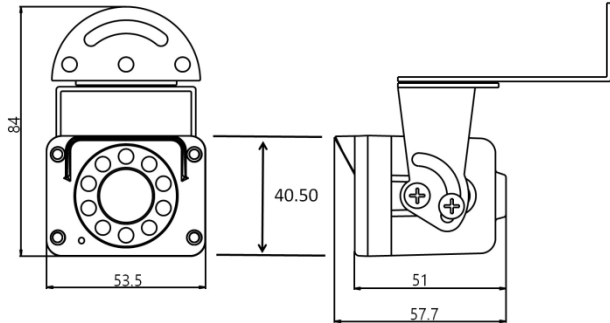


DIMENSION



Standard Bracket



Side Bracket (Option)



Stand Bracket (Option)

SPECIFICATIONS

Device	SONY1/2.8" 2 Mega Pixels "Starvis" Image Sensor
Effective Pixels	1920(H) x 1080(V)
Image/ Frame rate	1080P Full HD (30FPS/25FPS)
Scanning system	16:9 Progressive Scan
Minimum illumination(F1.4)	More than 0.03Lux at sens up "OFF"
S/N Ratio	More than 52dB (AGC off)
Video Interface	Default TVI (CVI, AHD, CVBS via OSD)
Day & Night	Color (Auto, B&W, EXT via OSD)
Color Temperature	1800 ~ 10500K
WDR	Default "off" (WDR 30fps Support via OSD)
ACE	Off/LOW/MIDDLE/HIGH
BLC	Off/ON (Size, Position)
HLC	Level Setting(0~20), Color
AGC	Level Setting(0~10)
Camera ID	Off/On (Letters A to Z, Numerals 0 to 9, Symbols)
White Balance	AUTO / AUTO ext / PUSH / MANUAL
DNR	2D+3D, OFF/LOW/MIDDLE/HIGH
Motion Detection	Off/ON
Privacy Mask	On/Off
Sens-Up	OFF (Auto X2 ~ X32 via OSD)
Etc. Function	SHARPNESS, GAMMA, D-Zoom, MIRROR Etc.
Lens	2.8mm Fixed
Power Source	DC 12V ± 10%
Dimensions	40.5 mm x 53.5mm

* In accordance with customers' request and OSD controller's option, the specifications can be fixed or changed without notice.

1080P Full HD Mini Car Camera



This installation should be made by a qualified service personnel and should conform to all local codes.

PRECAUTIONS

- Do not install the camera in extreme temperature conditions.
- Do not install or use the camera in an environment where the humidity is high.
- Do not install the camera under unstable lighting conditions.
- Never use the camera close to a gas or oil leak.
- Do not disassemble the camera.
- Do not touch the front lens of the camera.
- Never keep the camera face to strong light directly.
- Do not drop the camera or subject them to physical shocks.
- Do not expose the camera to rain or spill beverage on it.
- Do not expose the camera to radioactivity.

* NOTE *

- If the camera is exposed to spotlight or object reflecting strong light, smear or blooming may occur.
- Please check that the power satisfies the normal specification before connecting the camera.
- ✓ Follow all instructions & pay attention to all warnings.

FEATURES

- SONY 1/2.8" 2 Mega Pixels **"Starvis"** CMOS Image Sensor
 - Progressive Scan (1080P)
- Superior low light
- Natural Color Reproduction and clear & vivid image
 - Ultra High Resolution
- Adaptive Digital Noise Reducer(2D/3D)
- SENS UP "off"
- **1080p/30 Analog Video Output support**
 - **TVI,AHD,CVI,CVBS Selectable**
- 2.8mm Fixed Lens
 - Option : IR Leds
- Aluminum Die-casting Body
- **Best IP grade for Waterproof and dustproof**
 - **IP69K**
- DC12V Power
 - Option : Convenient Install Bracket
 - Height compensation, Side
 - Double shutter Wide Dynamic Range
 - Compensation(**WDR@30fps**)