

2MP Network Stainless Steel IR LED Bullet Camera

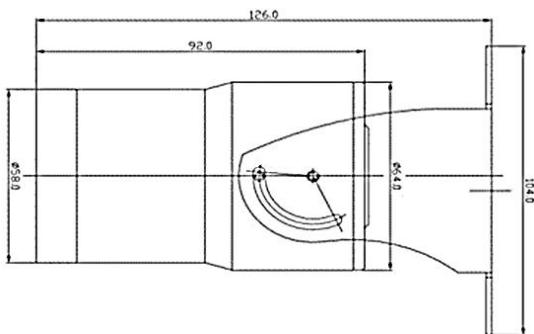


FEATURES

- 1/2.8" Sony 2 Megapixel STARVIS Image Sensor
- 16 : 9 Full HD(1080p) & Realize a vivid natural image
- Built-in Filter Change Day & Night Mechanism
- 3.6mm Megapixel Fixed Lens
- H.265 / H.264 / MJPEG Multi Codec & Triple Streaming
- Saving capacity and bandwidth through H.265
- 24pcs Highlight power sensitivity IR LED
- ONVIF Profile & SDK support provides convenient heterogeneous interworking
- Durable AISI 316L stainless steel
- Compact size
- IP68
- DC 12V, PoE(IEEE802.3af)support

DIMENSION

(unit : mm)



SPECIFICATION

MODEL	MC36Bi2Pi	
VIDEO		
Sensor	1/2.8" Sony 2Mega STARVIS image sensor	
Effective Pixels	1945(H) x 1097(V), 2.13 Mega Pixels	
Resolution	1080p@30fps/1080p@25fps	
Scanning System	Progressive Scan	
Min. Illumination	Color : 0.03Lux, B/W : 0.0Lux(IR LED ON)	
S/N Ratio	More than 50dB (AGC OFF)	
Video Output	Full HD	1080p@30_25fps
	Analog	CVBS (NTSC/PAL Selectable)
LENS		
Focal Length	3.6mm MP Fixed Lens	
Iris Control / Focus Control	Manual / Manual	
FUNCTION		
Day & Night	AUTO / COLOR / BW / EXT	
AGC	OFF / ON	
WDR	OFF / BLC / HLC / D-WDR / WDR(120dB)	
DNR	OFF / ON, 2D-NR & 3D-NR (Level Adjustment)	
White Balance	ATW / AWC / INDDOR / OUTDOOR / Manual / AWB	
Electric Shutter	AUTO/MANUAL(1/50(60) ~ 1/50,000 sec)	
Motion Detector	OFF / ON (Adjustable size and position)	
Privacy Mask	OFF / ON (Adjustable size and position)	
Sens-up	OFF / ON (Level Adjustment)	
OSD Language	Multi language Support	
IR LED / IR Distance	24pcs High Sensitivity IR LED / Approx. 25M	
Others Function	Mirror, Flip, Defog, LDS, Sharpness, Etc.	
NETWORK		
OS	Embedded Linux	
Ethernet	RJ-45 (10/100 Base-T PoE)	
Video Codec	H.265, H.264, MJPEG	
Video Streaming	Triple Stream (Stream1,2,3) RTP/RTSP, UnicastRTP, Multicast RTP	
Resolution	1920x1080, 1280x1024, 1280x960, 1280x720, 1024x768, 640x480, 320x240	
Frame Rate	Max 30fps@ 1920x1080	
Video Quality	H.265 / H.264 : Bitrate Control, MJPEG : Quality Level Control	
Protocol	TCP/IP,UDP/IP,RTP,RTSP,RTCP,NTP,HTTP,DHCP,FTP,SMTP, DNS,DDNS	
Security	User account and password protection, IP filtering, HTTPS	
ONVIF	ONVIF Profile S	
Memory Slot	N/A	
Max. user access	Max. 10 users	
SDK Support	API, ONVIF Profile S Compliant	
Client Software	Web Browser, ONVIF Compatible 3rd Party VMS	
Web browser OS	Windows 7, 8, 10	
GENERAL		
Operating Temp.	0°C ~ +50°C	
Operating Hum.	90% RH	
Power	DC 12V±10% Max. 4.0 Watt, PoE : IEEE 802.3af compliant	
Protection grade	Waterproof / IP68 compliant	
Material	Stainless steel body & 3-axis bracket (AISI 316)	
Dimension (mm)	Φ58 X 126(L) X 104(H)	
Weight	Approx. 920g	

* Specification and design are subject to change without notice.