

## 2MP Network 36x Optical Zoom Mini Positioning Camera

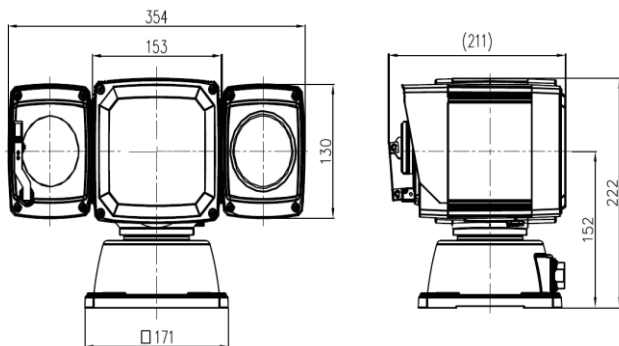


### FEATURES

- 2Megapixel Full HD Mini Positioning Camera
- Max. 432x Zoom (Optical 36x / Digital 12x)
- H.264 / MJPEG Multi codec & Triple Streaming
- True WDR, True Filter Change Day & Night mechanism  
optimum image quality in various illumination environments
- Enhanced low-light performance through DNR technology
- Pan : 360° Endless, Tilt : -90°~+90° (Auto Flip)
- 255Presets, 6 Scans & Tours, 4 Pattern support
- Worm gear and belt two-speed drive system
- Maximum wind speed 80m/s (fixed)
- Applying the Burn in OSD function
- IP66, IP68 waterproof certification
- Built-in, Fan & Anti-glare heat wire
- Small / Lightweight(8.9Kg)
- DC24V(SMPS provided)
- Optional
  - 1) Single Type : 36x zoom camera
  - 2) Dual Type :
    - (1) Thermal Camera (Thermal 50mm)
    - (2) Visible light distance (IR LED : 200m, Laser : 800m)

### DIMENSION

(unit : mm)



### SPECIFICATION

MODEL	MNS-30200N	MNS-30202R	MNS-30205L
<b>VIDEO</b>			
Sensor	1/1.9" SONY Exmor 2Megapixel CMOS Image Sensor		
Effective Pixels	1920(H)x1080(V)		
Min. Illumination	Color : 0.005 Lux, B/W : 0.0005Lux,	Color : 0.005 Lux, B/W : 0.0005Lux, 0Lux(IR LED)	Color : 0.005 Lux, B/W : 0.0005Lux, 0Lux(Laser)
S/N Ratio	More than 55dB(AGC OFF)		
Video Output	Full HD	RJ45 : Max. 1080p@30fps	
	Analog	BNC : CVBS 1.0 Vp-p / 75Ω	
<b>LENS</b>			
Focal Length	F1.5~4.8, f=5.8~210.0mm		
Zoom Ratio	Optical 36x,Digital 12x		
Focus Control	Auto / Semi-Auto / Manual		
Angle of View	60°~3.70°(H), 34.58°~1.99°(V)		
<b>PAN / TILT</b>			
Range	Pan : 360°(Endless) / Tilt : -90° ~ +90° (Auto Flip) Pan : 0.01~100°/sec, Tilt : 0.01~100°/sec, Accuracy : 0.01° (peed can be adjusted automatically according to the zoom magnification)		
Speed			
Preset	255		
Scan	6 Auto scans		
Tour	6		
Pattern	4		
Breakout detection and correction	Breakout detection and correction function due to external shock		
Driver configuration	Worm gear belt in two stages		
Connector	Waterproof MS connector		
Others Function	Scheduler, Auto Flip, Auto Parking, etc.		
<b>FUNCTION</b>			
Day & Night	Auto / Day / Night(ICR)		
WDR	OFF / BLC / HLC / WDR		
AGC	Auto / Manual		
White Balance	Auto / ATW / Outdoor / Indoor / Manual		
Electric Shutter	1/4 ~ 1/10000s		
Privacy Mask	OFF / ON		
DNR	2D-NR & 3D-NR, OFF / ON(Level adjustable)		
Other Function	Defog, Sharpness, Mirror, Flip, etc.		
IR LED / IR Distance	Non-IR	More than 200M	More than 800M
<b>NETWORK</b>			
Ethernet	Ethernet 10/100 Base-T (RJ-45)		
Video Codec	H.264/MJPEG, H.264 Encoding with Baseline/Main/High Profile		
Resolution	1920x1080(Full-HD), 1280x1024(SXGA), 1280x720(HD), 704x480(4CIF/NT), 704x576(4CIF/PAL), 640x480(VGA), 352x288(CIF), 320x240(QVGA)		
Frame Rate	Max. 30fps@1920x1080		
Alarm In / Out	1 / 1		
Event buffering	FTP : Pre/Post Event Time: 0~30sec, FPS: 1~2 fps		
RS-485 Protocol	Automatic, Pelco-D		
Protocol	IPv4/IPv6/ HTTP/ HTTPS/ 802.1x/ FTP/ SMTP/ UPnP/ SNMP/ DNS/ DDNS/ NTP/ RTSP/ RTP/ TCP/ UDP/ IGMP/ ICMP/ DHCP/ PPPoE		
ONVIF	ONVIF Profile S		
Max. user access	Max. 10 users		
Security	User authentication (ID and PW), host authentication (MAC address), IP address filtering		
Web Browser	IE8 or higher, Chrome 18 or higher, Firefox 5.0 or higher		
<b>GENERAL</b>			
Operating Temp.	-40°C ~ +60°C		
Operating Hum.	90%RH		
Wind speed standard	60m/s : Manual/Preset, 80m/s : Max. wind speed (Fixed)		
Power	DC24V, 70W	DC24V, Max. 125W	DC24V, Max. 100W
Circuit protection	TVS 6000V, Lightning/ Surge 4000V Protection		
Protection grade	IP66, IP68		
Fan / Heater	Fan : Always, Heater : Built-in defrost hot wire		
Material	Aluminum die-casting		
Dimension (mm)	354(W) x 211(L) x 222(H)		
Weight	Approx. 8.9Kg		

\* Specification and design are subject to change without notice.