

2MP Ultra Low light HD-SDI Positioning Camera

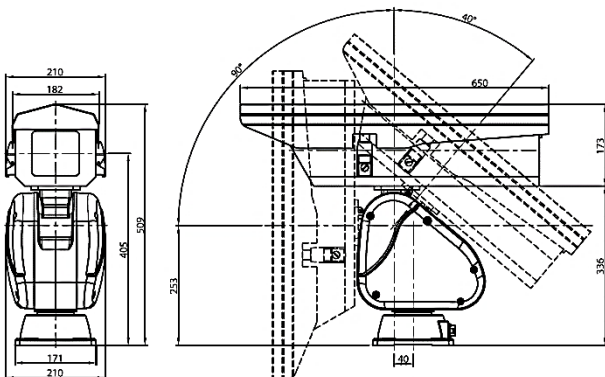


FEATURES

- Ultra low light HD-SDI inclined housing camera for road surveillance
- Powerful Ultra WDR function(30fps/120dB)
 - Sony's DOL (Digital Overlap) WDR Technology Intensive Sensor Application
- Motorized Auto Focus according to zoom scale
- 16 : 9 Full HD(1080p) & Realize a vivid natural image
- Ultra low light
 - Color 0.07Lux, B/W 0.0047Lux performance
 - High sensitivity twice as high as conventional IMX185LQR
- Input power self-diagnosis function
- Remote camera OSD setting function
- Multiple image output (HD-SDI, EX-SDI, HD-CVI, Analog(CVBS))
- Worm gear and belt two-speed drive system
- Out-of-phase detection and correction
- Two slip ring mounts (pan / tilt)
- Wind speed standard (Normal 40m/s, Max. 60m/s)
- Weather-proof Housing(IP66)
- Optional - Fine dust sensor

DIMENSION

(unit : mm)



SPECIFICATION

MODEL	MSP-5000F
VIDEO	
Sensor	1/2" SONY 2MP WDR(DOL) Image Sensor
Effective Pixels	1920(H) x 1080(V), Full HD
Min. Illumination	Color : 0.07Lux, B/W : 0.0047Lux (Sens up OFF)
S/N Ratio	More than 52dB (AGC OFF)
Day & Night	AUTO / COLOR / BW / EXT
WDR	OFF / ON(DOL True WDR, 30fps)
D-WDR	OFF / BLC / HLC
AGC	Auto / Manual
White Balance	AUTO / AUTO ext / PUSH / MANUAL
DNR	OFF / ON, 2D-NR & 3D-NR (Level Adjustment)
Electric Shutter	1/25s~1/100,000s
Motion Detector	OFF / ON (Adjustable size and position)
Privacy Mask	OFF / ON (Adjustable size and position)
OSD Language	Multi language Support
Others Function	Self-diagnosis, Digital zoom, Sens-up, Defog, Etc.
Video output	HD-SDI 1080p@30_25fps, 720p@60_50fps
	EX-SDI 1080p@60_50fps, 1080p@30_25fps
	Analog CVBS (NTSC/PAL Selectable)
LENS	
Focal Length	10 ~ 250mm, Optical 25x power zoom DC Iris lens
Max. Aperture ratio	F=1:1.6
Focus control	Auto / Manual
PAN / TILT	
Pan Angle / Speed	0°~360° (Endless), 0.036°/sec ~ 120°/sec
Tilt Angle / Speed	-90°~ 40°, 0.012°/sec ~ 40°/sec
Pan / Tilt Accuracy	Pan : 0.036°, Tilt : 0.012°
Preset Accuracy	Max. 0.1°
Preset	Max. 319 points
Escape	Built-in escape detection and correction function due to external shock
Group / Pattern	6 / 4
Alarm In / Out	4 / 2
Driver configuration	Worm gear belt in two steps
Loading weight	Max. 30kg (When operating at maximum speed 20kg)
Connector	BNC connector & Waterproof MS connector
HOUSING	
Internal size (mm)	(W)140 x (L)520 x (H)132
Built-in functions	Built-in heat sink for fan, heater, front view
RS485 Protocol	Automatic, Pelco-D/P, Samsung-T/E, Etc.
ENVIRONMENT	
Operating Temp. / Hum.	-40°C ~ 55°C / Max. 90%RH
Protection grade	IP66, All weather type (rain, moisture, dustproof)
Wind speed standard	40m/s : Manual / preset, 60m/s: Maximum wind speed (fixed)
Power	DC 36V ±10%, 100W (Heater Off), Max 170W (Heater On)
EXTERNALITY	
Color	Ivory
Material	NCT + Aluminum die-casting
Dimension (mm)	(W)210 x (L)650 x (H)509
Weight	17kg (Vacant Type standard)

* Specification and design are subject to change without notice.