

## 2MP Network H.265 IR Bullet Camera

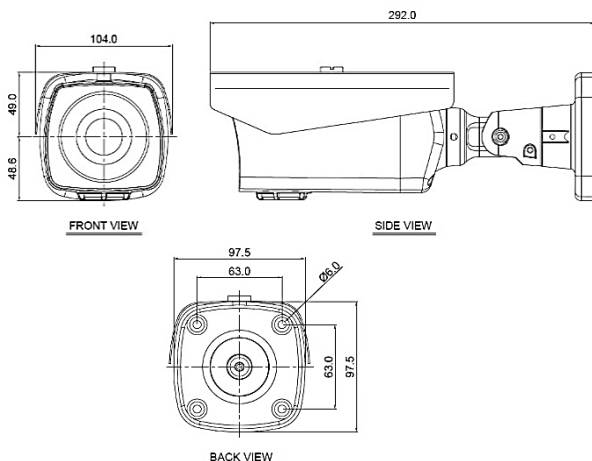


### FEATURES

- 1/2" SONY Ultra Low light 2Megapixel Sensor
- Powerful Ultra WDR function
  - Sony's DOL (Digital Overlap) WDR Technology Intensive Sensor Application
- 16 : 9 Full HD(1080p) & Realize a vivid natural image
- Min. Illumination
  - Color 0.004Lux, B/W 0.0001Lux, 0Lux(IR LED ON)
- 3.6~11mm(3x) Motorized Auto focus Lens
- H.265 / H.264 / MJPEG Triple Codec & Triple Streaming
- Saving capacity and bandwidth through H.265
- Built-in Filter Change Day & Night Mechanism
- 8pcs Highlight power sensitivity IR LED
- ONVIF Profile & SDK support provides convenient heterogeneous interworking
- Local SDHC memory slot support, Corridor mode support
- 3-axis Concealed Bracket structure can be adjusted freely
- IP67, IK10
- DC 12V, PoE(IEEE802.3af) Support
- Option
  - 2.7~12mm(Optical 4.4x Zoom) Motorized AF Lens
  - 5.0~50mm(Optical 10x Zoom) Motorized AF Lens
  - Versatile Junction Box
  - FAN & HEATER

### DIMENSION

(unit : mm)



### SPECIFICATION

MODEL	MIPB-V2I
<b>VIDEO</b>	
Sensor	1/2" SONY 2MP Ultra Low Light Image Sensor
Total Pixels	1952(H) x 1113(V), 2.17 Megapixels
Effective Pixels	1945(H) x 1097(V), 2.13 Megapixels
Scanning System	Progressive Scan
Min. Illumination	Color : 0.004Lux, B/W : 0.0001Lux, 0Lux(IR LED ON)
S/N Ratio	More than 52dB (AGC OFF)
<b>LENS</b>	
Focal Length	3.6~11mm(Optical 3x) Motorized
Aperture / Filter method	DC Auto iris / Auto(Nighttime IR filter operation)
Focus Control	Auto / Manual / One Push
<b>FUNCTION</b>	
Day & Night	Auto / Day / Night / EXT
WDR	OFF / ON(DOL True WDR) / more than 120dB
BLC	OFF / BLC / HLC
DNR	OFF / ON, 2D-NR & 3D-NR (Level Adjustment)
White Balance	ATW-Indoor/Outdoor, Shade, Clear sky, Fluorescent light, Light bulb, Flame, Manual
Electric Shutter	Auto (1/60~1/135,000sec), Manual (1/10~1/10,000sec)
Motion Detector	OFF / ON (4 zone settings)
Privacy Mask	OFF / ON (8 zone settings)
DIS	OFF / ON
IR LED / IR Distance	8pcs Highlight power sensitivity IR LED / Approx. 40M
Digital Zoom	16x
Corridor mode	Support(90°/270°)
Others Function	Mirror, Flip, Defog, LDS, Sens-up, Auto Exposure Mode, etc
<b>NETWORK</b>	
OS	Embedded Linux
Ethernet	RJ-45 (10/100 Base-TPoE)
Video Codec	H.265(Main Profile), H.264(High, Main, Base line profile), MJPEG
Video Streaming	Simultaneously H.265/H.264 and MJPEG (Triple Streaming) Independent Frame Rate and Bandwidth Control, VBR/CBR Mode
Resolution	1920x1080(Full-HD), 1280x1024(SXGA), 1280x720(HD), 704x480(4CIF/NT), 704x576(4CIF/PAL), 640x480(VGA), 352x288(CIF), 320x240(QVGA)
Frame Rate	Max. 1920x1080p@60fps
Alarm IN/OUT	1/1 (Option)
Audio IN/OUT	1/1 (Option)
Audio Codec	G.711
Event Action	At boot, alarm input, trigger, network loss, operation, motion detection
Event Notification	Alarm output, E-mail, FTP storage
Protocol	TCP/IP, UDP, IPv4/v6, HTTP, HTTPS, FTP, UPnP, RTP, RTSP, RTCP, DHCP, ARP, Zeroconf, etc.
Security	User account and password protection, IP filtering, HTTPS
ONVIF	ONVIF Profile S
Memory Slot	SDHC Memory card (purchased separately), Save event / alarm
Max. user access	Max. 10 users
SDK Support	API, ONVIF Profile S Compliant
Client Software	Web Browser, ONVIF Compatible 3rd Party VMS
<b>GENERAL</b>	
Operating Temp.	-30°C ~ +55°C (Option : built-in Heater)
Operating Hum.	95% RH
Power	DC 12V±10% (LED OFF : Max. 200mA, LED ON : Max. 500mA, FAN & HEATER ON : Max. 1.2A) PoE (IEEE 802.3af compliant)
Protection grade	IP67 / IK10
Material	Aluminum die-casting
Dimension (mm)	104.0(W) x 292.0(D) x 97.5(H)
Weight	Approx. 850g

\* Specification and design are subject to change without notice.