

2MP STARVIS Low light HD-SDI Indoor Dome Camera



MSD-I2IF



MSD-I2IV

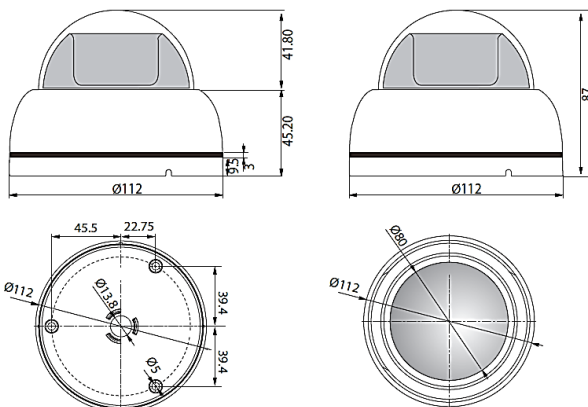


FEATURES

- 1/2.8" SONY STARVIS High sensitivity 2Megapixel Sensor
- Double shutter Wide Dynamic Range (WDR, 30fps)
- 16 : 9 Full HD(1080p) & Realize a vivid natural image
- Min. Illumination
 - Color 0.03Lux, B/W 0.0Lux(IR LED ON)
- Built-in Filter Change Day & Night Mechanism
- Multiple image output mode
 - HD-SDI, EX-SDI, HD-CVI, Analog(CVBS) video output
- 3D DNR, HLC, Motion Detector, Privacy Mask
- Input power self-diagnosis function
- 3-axis gimbals Bracket structure can be adjusted freely
- Easy installation structure
- DC 12V
- Select Lens Specification

DIMENSION

(unit : mm)



SPECIFICATION

MODEL	MSD-I2I	
VIDEO		
Sensor	1/2.8" SONY 2MP STARVIS Image Sensor	
Effective Pixels	1920(H) x 1080(V), 2.17 Megapixel	
Scanning System	Progressive Scan	
Min. Illumination	Color : 0.03Lux, B/W : 0.0Lux (IR LED ON)	
S/N Ratio	More than 52dB (AGC OFF)	
Video Output	HD-SDI / CVI	1080p@30_25fps, 720p@60_50fps
	EX-SDI	1080p@60_50fps, 1080p@30_25fps
	Analog(CVBS)	960H (NTSC/PAL Selectable)
LENS		
Focal Length	MSD-I2IF : 3.6mm Fixed Lens MSD-I2IV : 2.8~12.0mm(4.3x) Motorized Lens	
Aperture / Filter method	MSD-I2IF : Fixed / Auto(Nighttime IR filter operation) MSD-I2IV : DC Auto iris / Auto(Nighttime IR filter operation)	
Focus Control	MSD-I2IF : Manual, MSD-I2IV : Auto / Manual	
FUNCTION		
Day & Night	AUTO / COLOR / BW / EXT	
AGC	OFF / ON	
WDR	Off / ON (30fps/25fps, Real Full frame, Level Setting) * Not support Analog mode	
D-WDR	OFF / BLC / HLC / D-WDR	
DNR	OFF / ON, 2D-NR & 3D-NR (Level Adjustment)	
White Balance	AUTO / AUTO ext / PUSH / MANUAL	
Electric Shutter	AUTO / MANUAL (1/30(1/25) ~ 1/30,000sec) / FLICKER	
Color temperature	1800 ~ 10500K	
Motion Detector	OFF / ON (Adjustable size and position)	
Privacy Mask	OFF / ON (Adjustable size and position)	
DIS	OFF / ON	
Digital Zoom	OFF / ON (Level Adjustment)	
Sens-up	OFF / ON (Level Adjustment)	
IR LED / IR Distance	24pcs Highlight power sensitivity IR LED / Approx. 30M	
OSD Language	Multi language Support	
Others Function	Mirror, Flip, Defog, LDS, Sens-up, Edge Enhancement, Etc.	
GENERAL		
Operating Temp.	-20°C ~ +50°C	
Operating Hum.	90% RH	
Power	DC 12V±10% 200mA, Max. 400mA(IR LED ON)	
Material	Dome : Clear Bubble Dome / Housing : Reinforced plastic	
Dimension (mm)	112.0mm(Dia. Ø) x 87mm (H)	
Weight	Approx. 350g	

* Specification and design are subject to change without notice.